

Silo Storage for Metal Powders

PS190121



**Construction**

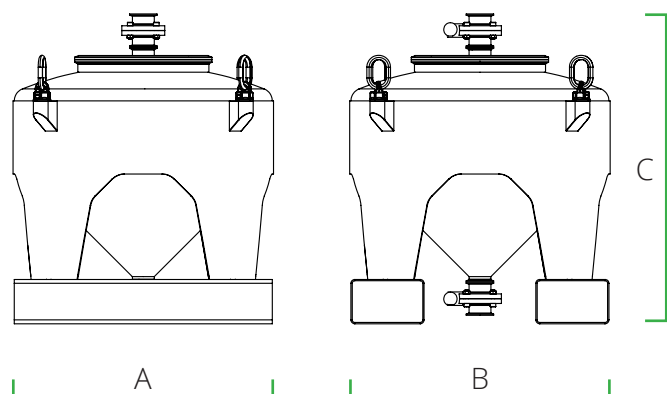
- ◇ 304 Stainless Steel (Polished Internal Finish)
- ◇ 20L & 60L Sizes Available

**Features**

- ◇ 300mm removable top for cleaning
- ◇ Powder batch organisation
- ◇ Customisable lid connections\*
- ◇ 50mm tri-clamp connections\*
- ◇ Forklift compatible
- ◇ 4 point lifting eyes
- ◇ Suits standard 600 or 900mm warehouse racking

**Dimensions (mm)**

Model	Volume (L)	A	B	C
PS20	20	400	400	600
PS60	60	600	600	720



\*Dependent on customer requirements  
Maximum 0.1 Bar Pressure